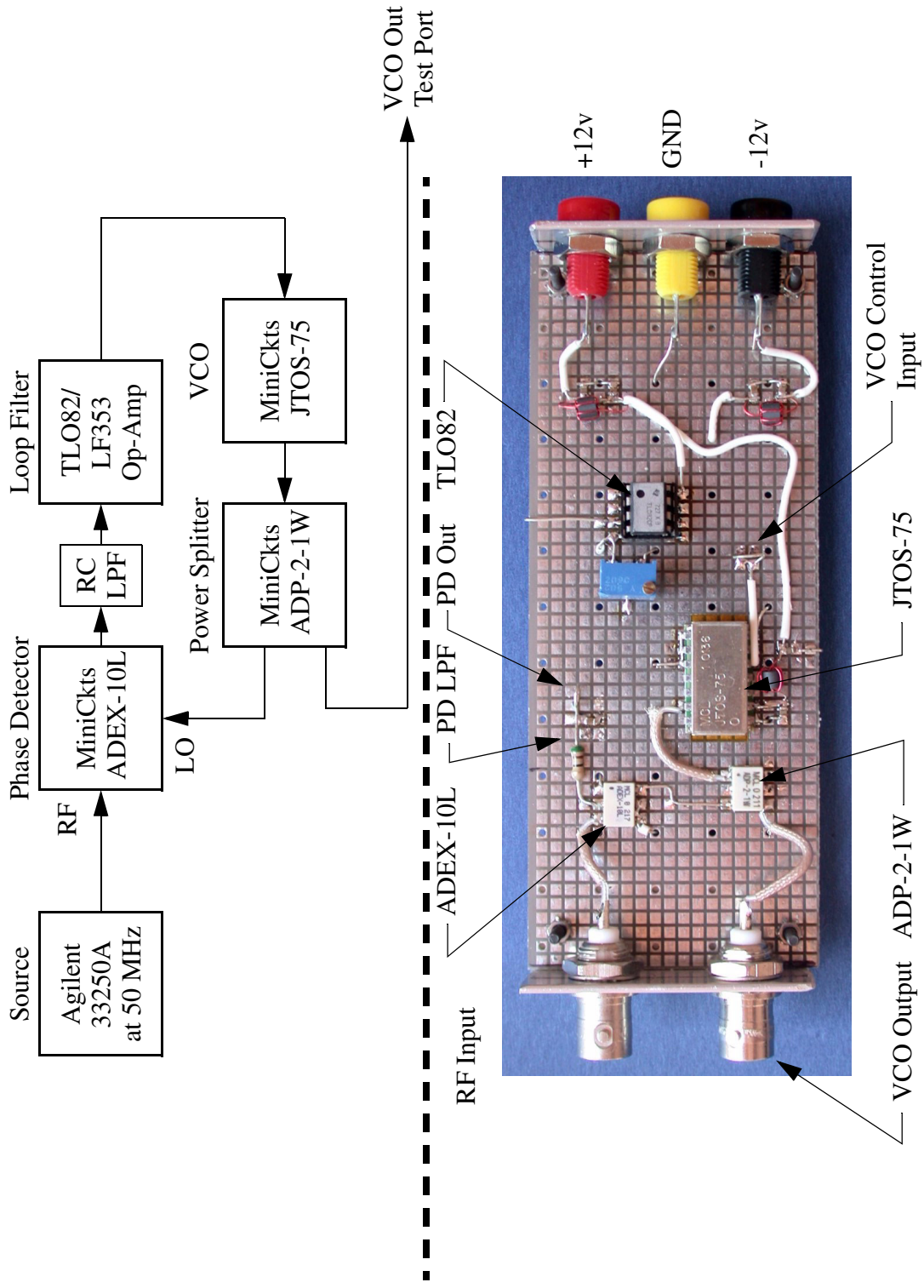


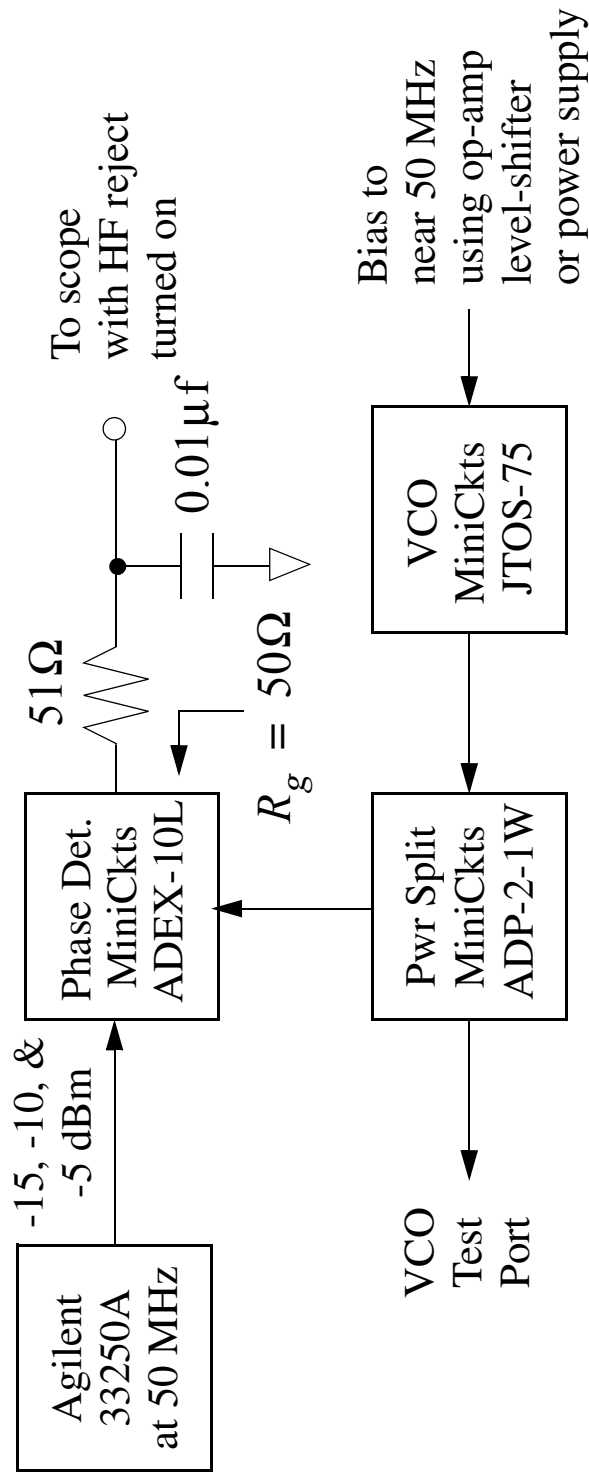
ECE 4670 PLL Lab Demo

December 3, 2002

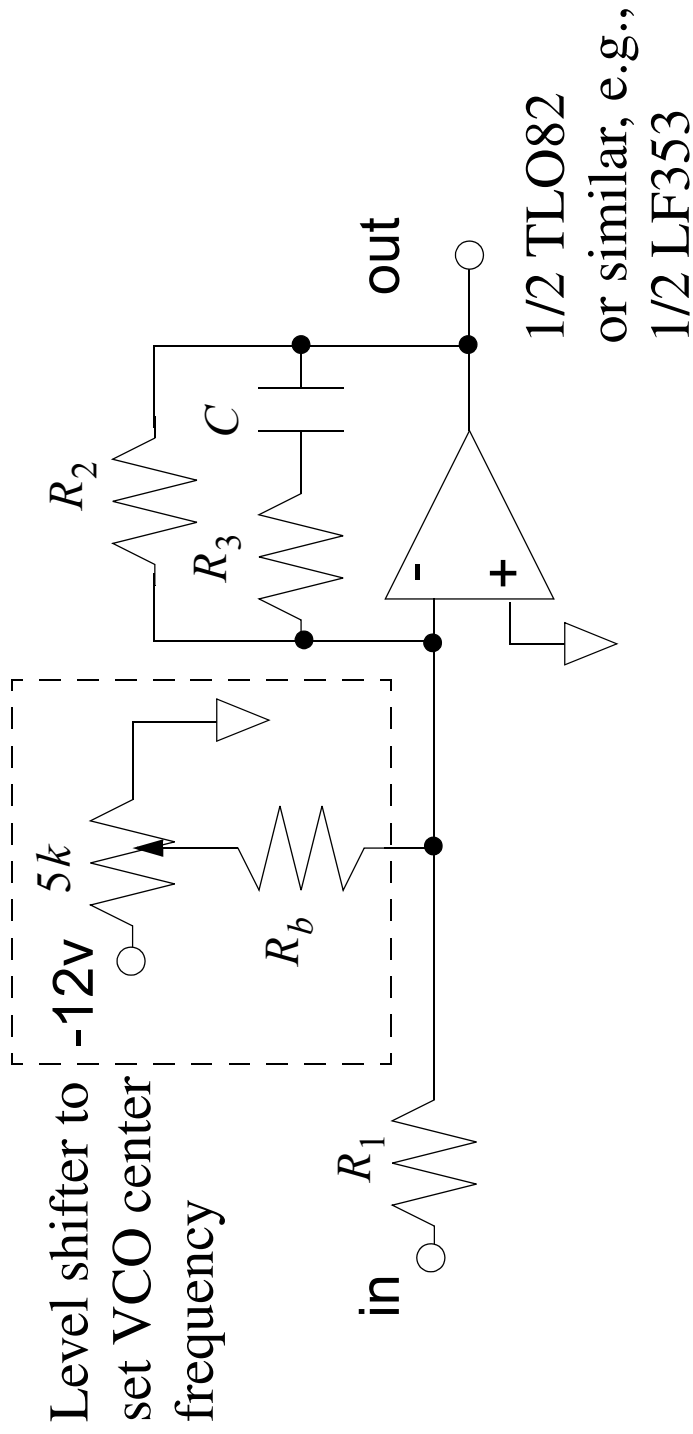
PLL Module Configuration



VCO Characterization

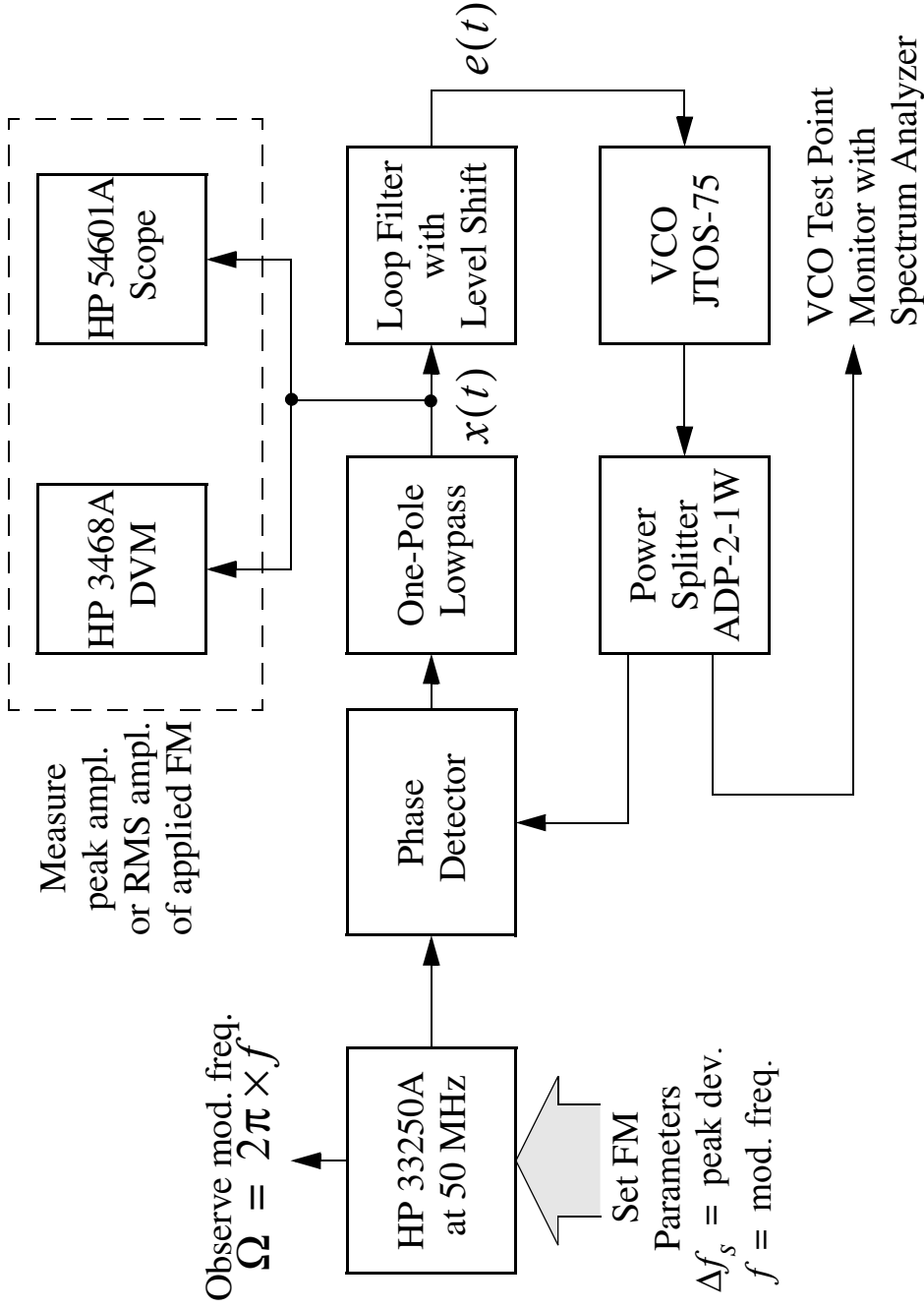


Second Order Loop Filter

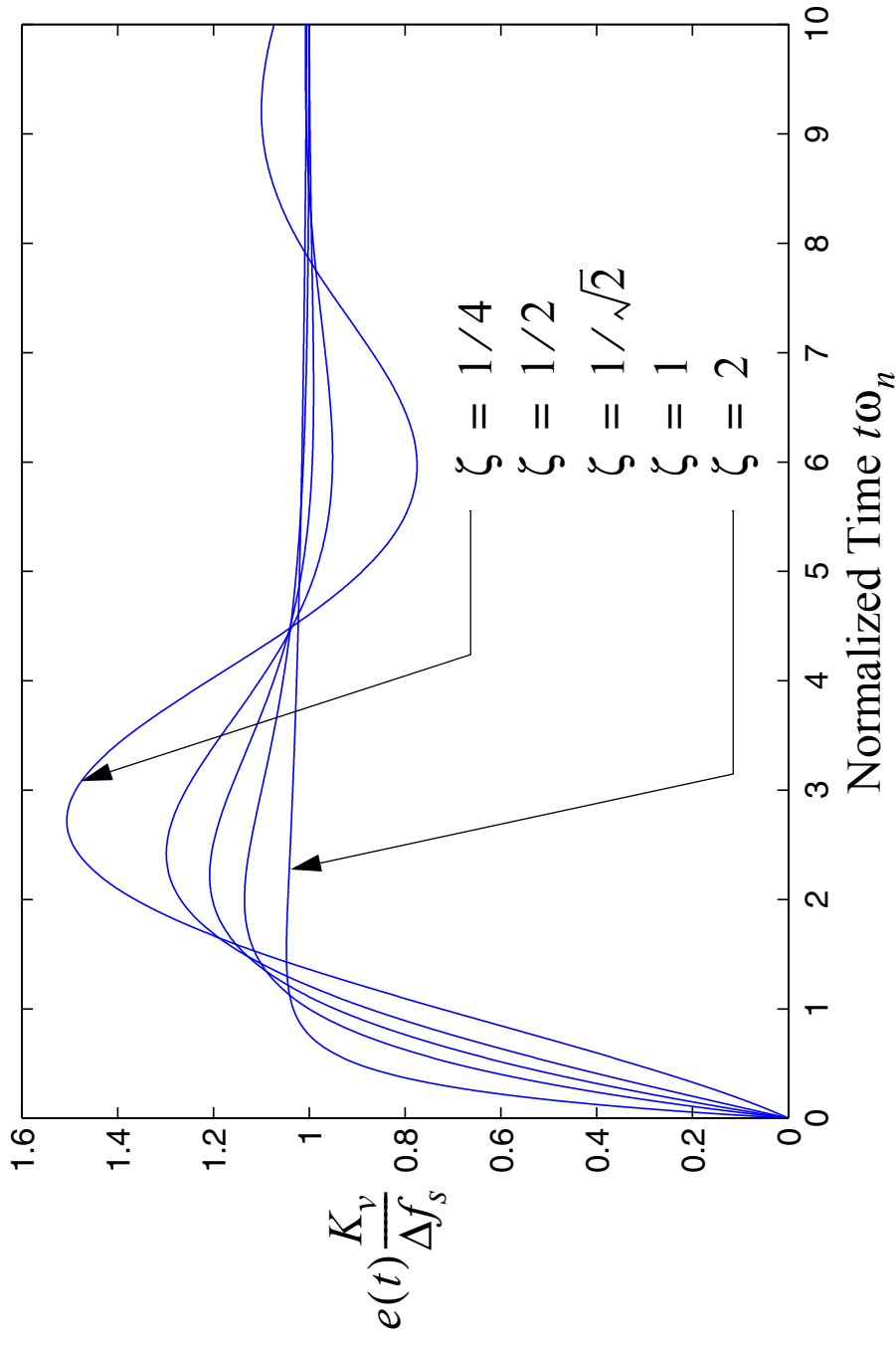


Measurement of Loop Parameters

- Experimentally determine natural frequency ω_n and damping ζ



Response to a Frequency Step Input



2nd-Order PLL as a Discriminator

